

Saflok SR Series

RFID



The Saflok SR Series reader is a device that operates access control throughout the property from guestroom to perimeter access such as elevator, parking entrances, or any other door requiring an electric strike or electro-

magnetic lock. Offering a sleek minimalist design that will suit any property décor, the SR Series functions with Ambiance™ Access Management Software and Ambiance RX online wireless system. The device is available in three different models to suit any property's needs.

Mobile Access:

The SR readers are Bluetooth Low Energy (BLE) capable and can operate using the dormakaba Mobile Access Solutions for a perimeter access and guestroom application.

Perimeter and guestroom access applications:

- SR1:** the reader is installed on a surface mount or on an aluminum door frame.
- SR2:** the reader is installed using a flush mount wall plate, available in various finishes
- SR3:** the reader is installed behind a third party decorative wall plate

Saflok SR1 and SR2 Readers

Saflok SR1 and SR2 readers operate perimeter access hardware such as elevator, parking, entrances or any other door requiring an electric strike or electro-magnetic lock.

SR1 is installed on a surface mount or on an aluminum door frame.

SR2 is installed using a flush mount wall plate, available in various finish options

Applications:

The SR1 and SR2 models are ideal for perimeter access points (elevator, parking entrance, outdoor swimming pool) and locking devices (electric strike, magnetic lock)

Features:

- Improved tamper resistance
- Ability to easily integrate into Ambiance Access Management System
- Environmentally sealed contactless smart card reader protects against climate extremes, which is an especially vital feature for common access readers placed in external building and exit device applications
- Compatible with online wireless system (Ambiance RX)
- Optionally equipped with the wireless online transceiver for centralized access control
- LED lights displayed behind acrylic reader lens
- Contactless smart card reader uses industry-standard
- Contactless smart card reader leverages Mifare Classic or Mifare Plus credentials
- Programmable auto latch/unlatch feature eliminates need for manual dogging
- Auditable entries/attempts
- Selectable master key access
- Restricts access to guest keys after check-out date
- BLE options

Reader and controller box dimensions:

- Single Metal Gang Box: 3.03"H x 3.51" D x 1.97" W (76.96 H x 89.15 D x 50 W mm)
- Metal Controller Box: 3"H x 3.5"D x 3.77" W (76.2 H x 89 D x 95.76 W mm)
- Plastic Controller Box: 4-1/8"H x 2-29/32" D x 4-5/32" W (104.78 H x 73.82 D x 105.57 W mm)

Reader dimensions and weight:

- Contactless Reader (Surface Mount):
- 1.81" W x 2.81" H x 1" D (46 W x 71 H x 25 D mm), 0.1 lbs (0.05 kg)
- Contactless Reader (Flush Mount):
- 1.75" W x 2.75" H x .81" D (44W x 70 H x 21 D mm), 0.2 lbs (0.10 kg)

Specifications:

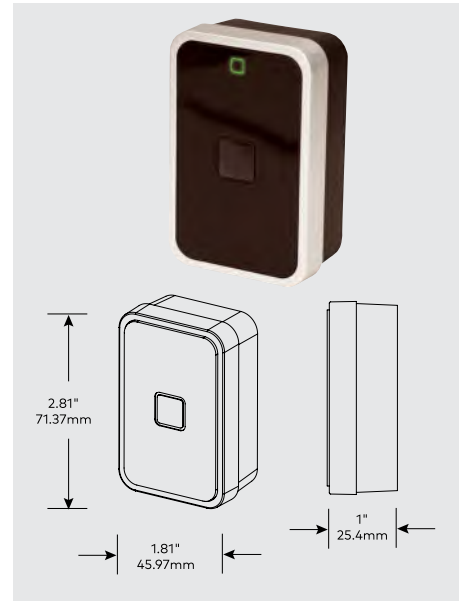
- Voltage: 12-24 VAC or VDC
- SPDT 5A@30VDC relay with common, normally open and normally closed contacts

Certification:

- Certified to the CSA 22.2 No. 205 standard
- Interfaces with fire panels meeting NFPA 101 fire access alarm standard
- Meets FCC and CE requirements

Warranty:

- Standard Factory Warranty: two years
- Extended Warranty: dormakaba Service Plans (Platinum, Gold, Silver)



Saflok SR3

The Saflok SR3 model is a lock kit that provides flexibility to properties seeking an elegant, unique design for guestrooms. This solution allows designers to install the SR Series RFID reader behind a third party wall plate, while fitting customized lever sets and privacy thumb turn hardware on the door. The SR3 solution provides a minimalistic solution without requiring a full bodied lock or RFID reader on the door.

Options:

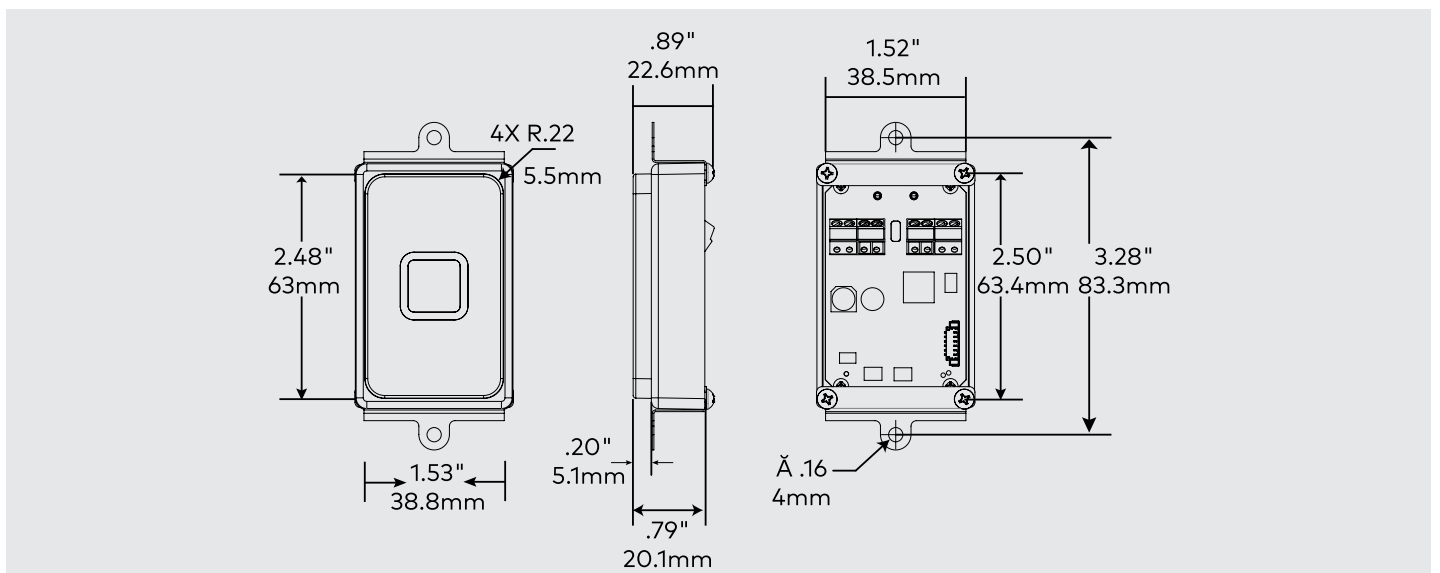
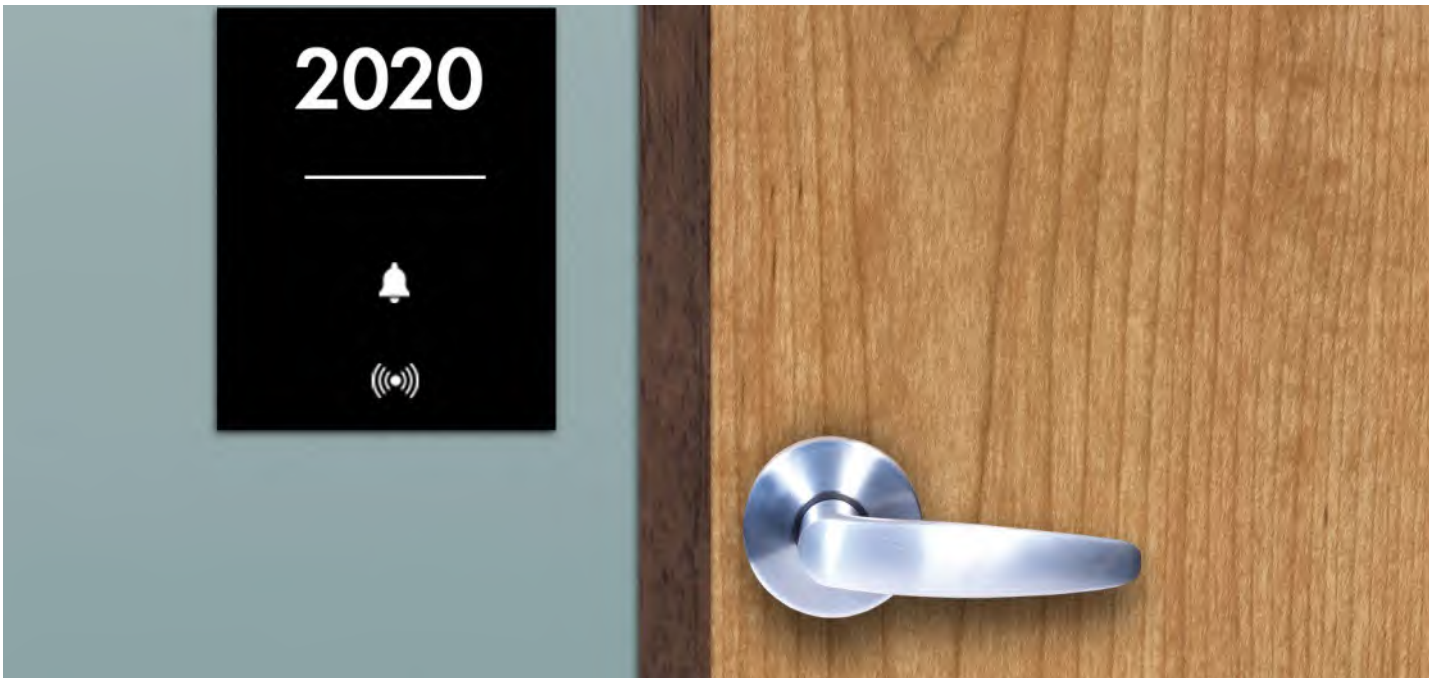
Properties opting not to use a third party plate, are offered the flexibility to get the SR1 or SR2 readers visible on the wall.

Applications:

The SR3 is ideal for guestroom solutions and new construction projects.

Features:

- Contactless smart card reader leverages Mifare Classic or Mifare Plus credentials
- 1" solid deadbolt (optional auto deadbolt)
- High security and tamperproof design
- Staff monitoring - Keycard audits
- Tracking mortise for door ajar reporting
- Compatible with online wireless system (Ambiance RX)



Locking mechanical features	
Description	Electronic mortise lockset with 1" (25.4mm) throw deadbolt and 5/8" (15.9mm) dead-locking latch bolt
Handing	Factory-handed mortise (left, right, left reverse, right reverse)
Lever	A large selection of Kaba custom levers available
Door thickness	1 3/4" (44.5mm) to 2 1/8" (53.98mm) for standard product
Standard finishes	Flush mount (SR2 Concierge): Satin Chrome, Satin Brass, Dark Mahogany, Black, Bright Chrome, Bright Brass, Brown, Ivory, White
Standard backset	2 3/4" (69.9mm) from door edge to lever
Locking options	ANSI lock case with 1 1/2" or 1" lock front mortise Option: Standard Door Ajar
Online configurations	DAJ mortise (ANSI lock case) Lock controller board with online capability - DAJ mortise (ANSI lock case)
Mobile access options	BLE compatible: upgradable to BLE by adding end cap and BLE module BLE enabled: no further upgrades needed

Reader operation	
Date/time stamp interrogation	Real-time; date and hours/minutes Obtain key usage reports from the lock by using a handheld unit at the door, or increase efficiency by performing a remote Interrogation using the online feature of the access management software (optional)
Pre-registered keycards	Keys can be made up to ten days in advance without cancelling current or arriving guests
Keycard expiration	Configurable expiration dates; can be automatically set for check out date or manually applied when making key during check in process.
Lockout mode	Set by authorized keycard or Access Management System
Keycards accepted feedback	Three credential format options available: Mifare classic, Mifare plus or Mifare Ultralight C. Mifare classic: guest keys (mini), staff (4k & 1k); Mifare plus: guest keys (Mifare plus 1K), staff keys (Mifare plus S 1k, Mifare plus S 2k, Mifare plus S 4k); Mifare Ultralight C: guest keys
Diagnostics	Light indicators and handheld display
Audit trail	Up to 4,000 events
Disability feature	RCU readers interface with automatic power operated doors for special openings
Privacy override	Emergency keycards
Specifications	Voltage: 12-24 VAC or VDC SPDT 5A@30VDC relay with common, normally open and normally closed contacts

Certifications & testing	
Accessibility standard	ADA compliant (Code of Federal Regulations 28 CFR Part 36 "2010 ADA Standards for Accessible Design")
Reader	CAN/ULC-60839-11-1, CSA 62368-1, IEC 60839-11-1 when used with RACs
Electronics	Meets FCC Part 15 Subpart C, IC RSS-210, EN 301 489-1, EN 301 489-3, EN 300 330-2
Environmental operating	Indoor side: 32°F to 151°F (0°C to 66°C) Outdoor side: -31°F to 151°F (-35°C to 66°C)
Conditions	0% to 85% non-condensing humidity at 86°F (30°C)

Warranty	
Standard factory warranty	Two years
Extended warranty	dormakaba Service Plans (Platinum, Gold, Silver)

© dormakaba 2024 Information on this sheet is intended for general use only. dormakaba reserves the right to alter designs and specifications without notice or obligation.

Any questions? We would be happy to advise you.
Contact us at: 1-800-265-6630